

# OGSA-DAI Supported Asynchronous Data Access Service (VO-DAS)

Chao Liu, Haijun Tian, Dan Gao, Yang Yang, Yong Lu  
China-VO  
National Astronomical Observatories, CAS, China



# Goals

- Handle high volume data
- Interlink distributed and heterogeneous archives
  - catalogs, images, spectrums
- **Make a software that works for astronomers**



# OGSA-DAI Overview

- OGSA-DAI is a middleware product which supports the exposure of data resources, such as relational or XML databases, on to grids.
- Work with Globus Toolkit 4



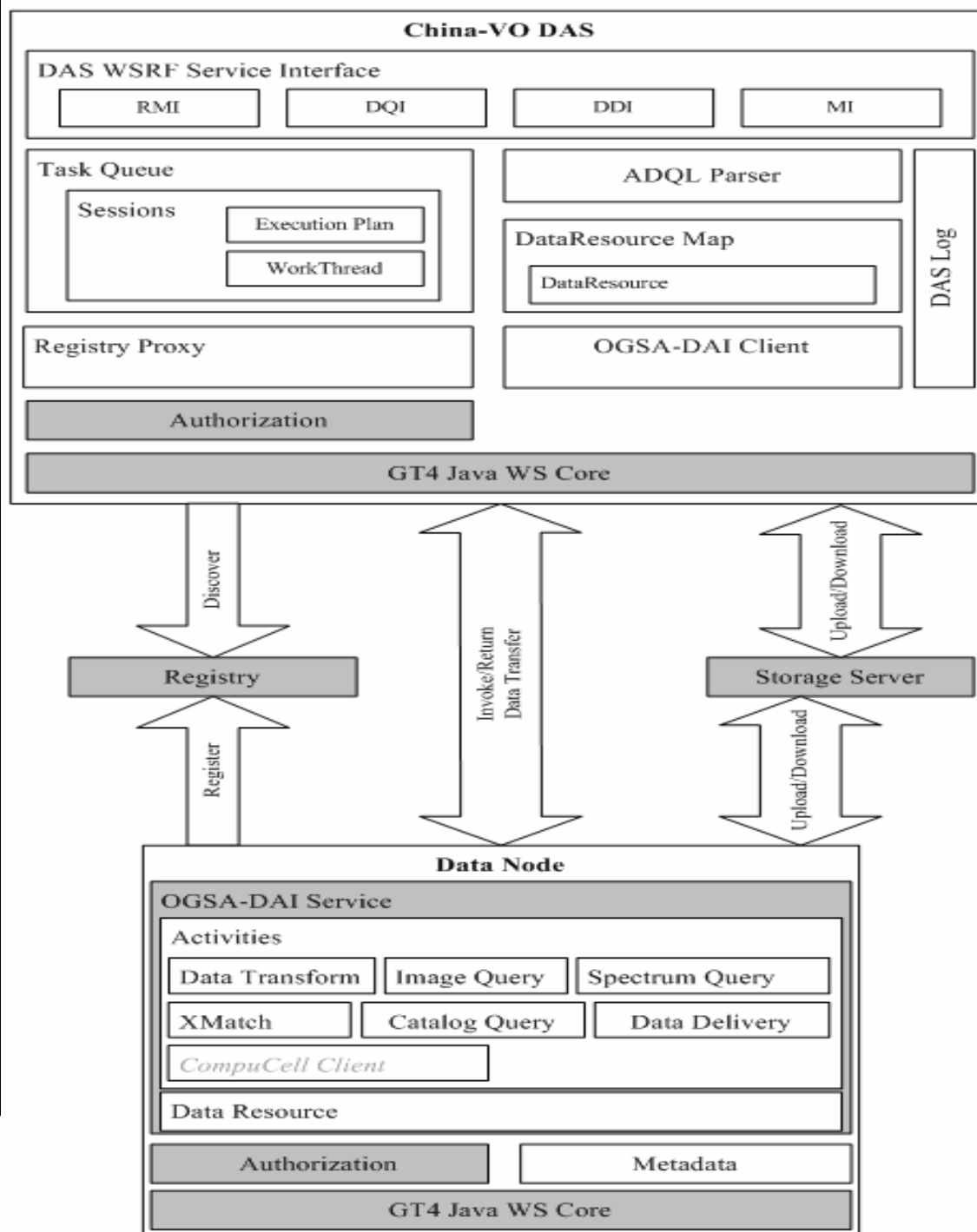
# Our Evaluation

- Pros
  - Good wrapper for variant databases
  - Asynchronous query supported
  - Available for large dataset
  - WSRF interface
  - Flexible data transportation solution
  - Good extension capability
  - Multiple data format and extensible
- Cons
  - Still not stable
  - Cannot provide table metadata



# VO-DAS Architecture

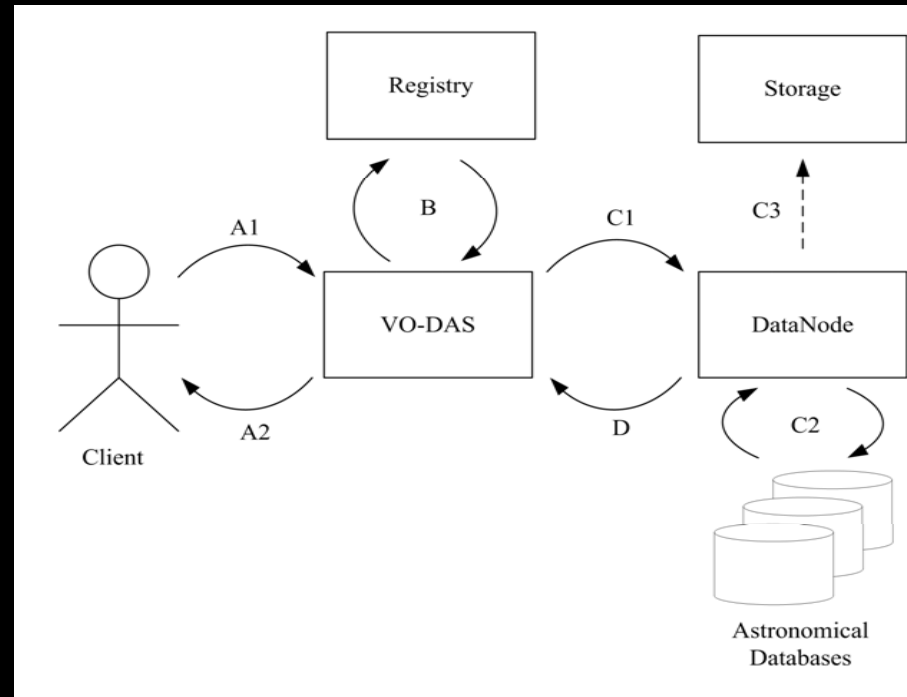
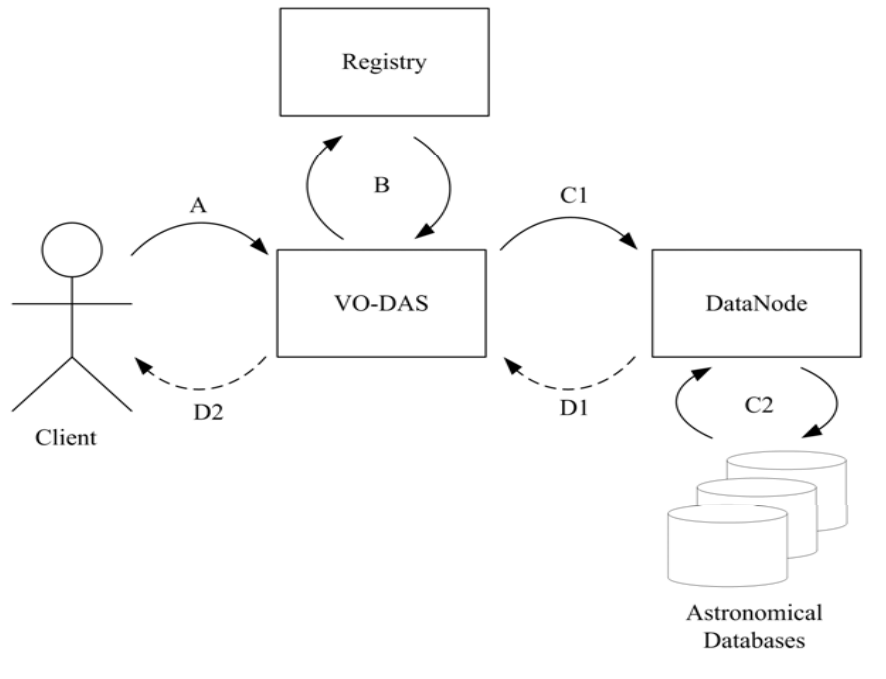
- VO-DAS Server
  - WSRF based web service
  - Integrates OGSA-DAI services
  - Job controlling and monitoring
- DataNode
  - OGSA-DAI wrapped data resources
- Interfaces
  - Resource Metadata Interface
  - Data Query Interface
  - Data Delivery Interface
  - Management Interface



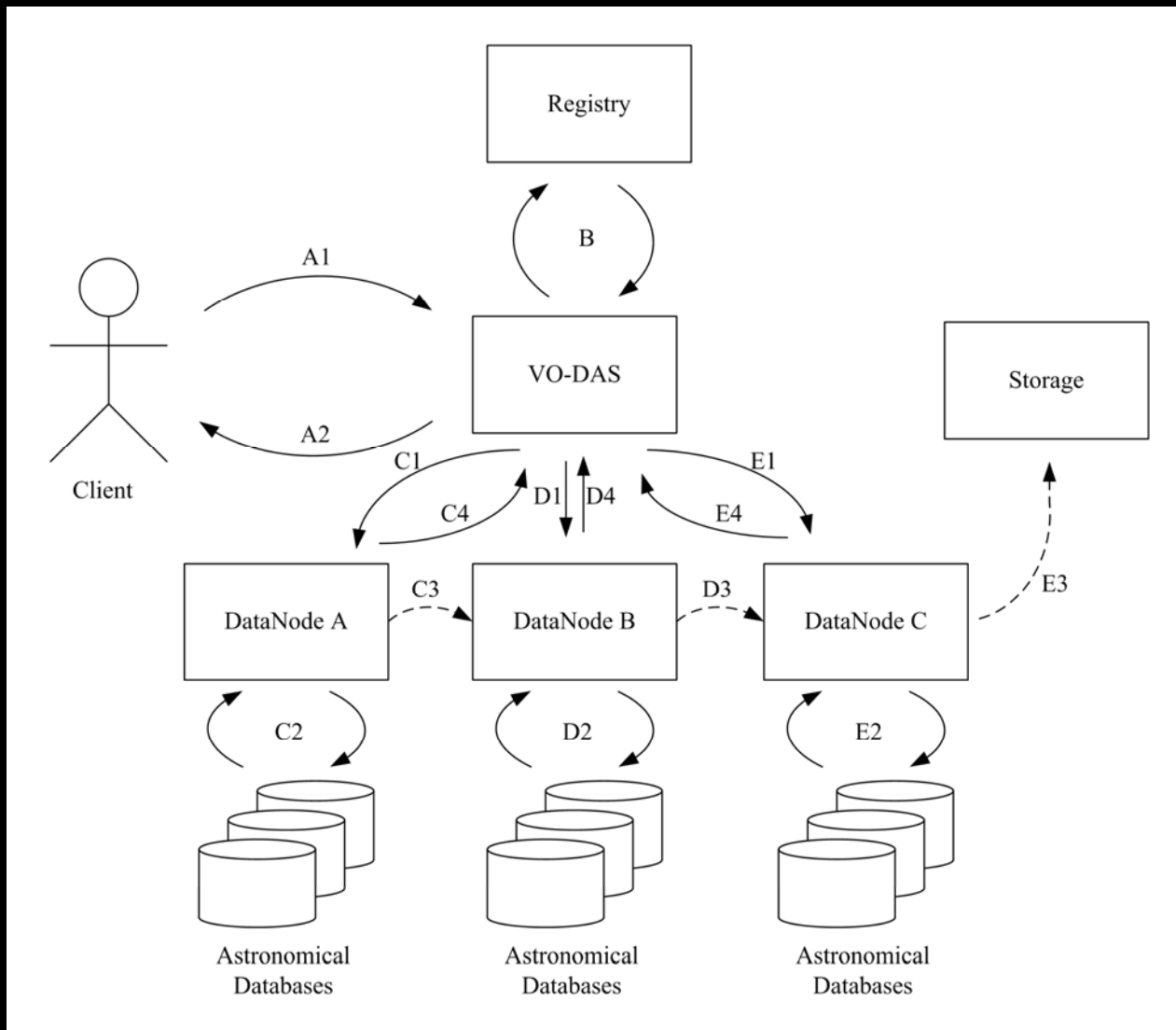
# VO-DAS Action 1

- Query Workflow
  - Synchronous Query
  - Asynchronous Query
  - Asynchronous Query on multiple DataNodes









# VO-DAS Action 2

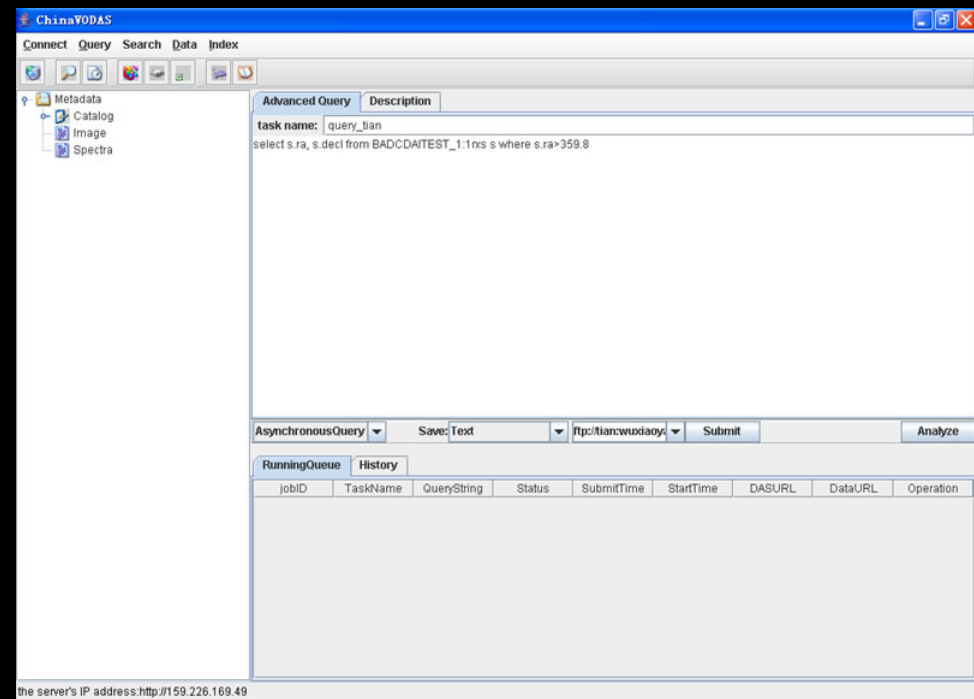
- Asynchronous Query Management
  - An End-Point Reference as session
  - Output destination setting while query
  - Result data format setting while query
- Example
  - *session=NewSession()*
  - *session.AsynQuery(<adql string>, <destination url>, <data format>)*
  - *session.GetStatus()*
  - *session.Destroy ()*

# Performance

- High Volume Data Query Test
  - Long time to query and retrieve big data file
- Frequently Data Query Test
  - Multiple user simultaneously query
  - A user frequently access data from server
- Conclusion
  - A million rows can be handled successfully
    - Depend on memory size
  - It is not stable when simultaneously query (high loaded case)
    - Reason: OGSA-DAI's defect? Or database problem?
  - It is complicated to handle failure

# Status

- An Alpha version of VO-DAS is ready
  - Simple ADQL access by a GUI java client
  - ConeSearch and XMatch between multiple OGSA-DAI services
  - VOTable, ASCII, CSV data format
  - Simple job controlling



# Future Work

- Short Term
  - *A commercial system*
    - Used by astronomers in a small community
- Long Term
  - VO-DAS + VOSpace?
  - VO-DAS + Other VO applications?
  - VO-DAS + Workflow control?
- Question?

